

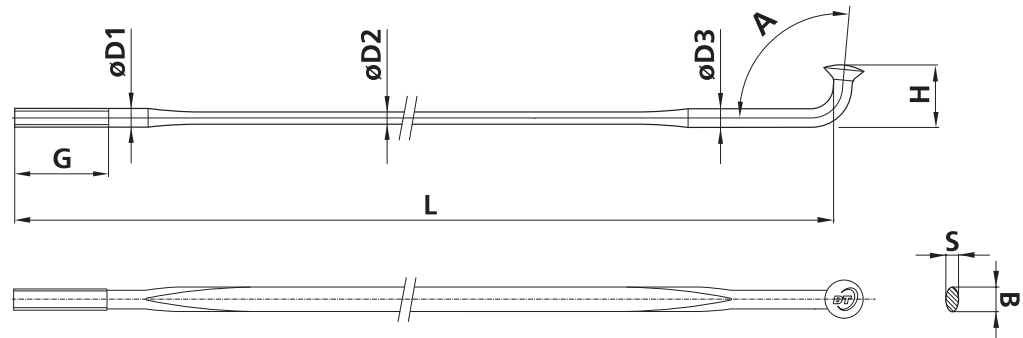
TECH SPECS

SPOKES

Check out the free spoke length calculation program «**spokes calc**» on www.dtswiss.com – an easy and fast way to get the right spoke length.

Consultez le site www.dtswiss.com, rubrique «**spokes calc**», une manière rapide et facile d'obtenir la bonne dimension de rayon.

Unter www.dtswiss.com finden Sie das kostenlose Speichenlängenprogramm «**spokes calc**», mit dem Sie Speichenlängen einfach und rasch ermitteln können.



	DT aerolite	DT aero speed	DT alpine III	DT champion	DT competition	DT new aero	DT revolution	DT super comp
Thread Filetage Gewinde	FG 2.3 DIN 79012	FG 2.3 DIN 79012	FG 2.3 DIN 79012	FG 2.0 DIN 79012 FG 2.3 DIN 79012 FG 2.6 DIN 79012	FG 2.0 DIN 79012 FG 2.3 DIN 79012	FG 2.3 DIN 79012	FG 2.0 DIN 79012 FG 2.3 DIN 79012	FG 2.0 DIN 79012
G	9 – 10mm	10 – 11 mm	9 – 10mm	9 – 10mm	9 – 10mm	10 – 11 mm	9 – 10mm	9 – 10mm
D1	2.0mm	1.8mm	2.0mm	1.8mm 2.0mm 2.34mm	1.8mm 2.0mm	2.0mm	2.0mm	1.8mm
D2	—	—	1.8mm	—	1.6mm 1.8mm	—	1.5mm	1.7mm
D3	—	—	2.34mm	—	1.8mm 2.0mm	—	2.0mm	2.0mm
Gauge	—	—	14/15/13	15 14 13	15/16 14/15	—	15/17 14/17	—
A	90 – 95°	90 – 95°	90 – 95°	90 – 95°	90 – 95°	90 – 95°	90 – 95°	90 – 95°
H	6.2 mm	6.0mm	7.8mm	6.0mm 6.2mm 7.8mm	6.0mm 6.2mm	6.2 mm	6.0mm 6.2mm	6.2mm
S	0.9mm	1.2mm	—	—	—	1.1 mm	—	—
B	2.3 mm	2.3mm	—	—	—	3.3mm	—	—
L	232 – 304mm	215 – 305mm	245 – 305mm	140 – 315mm	185 – 315mm	215 – 315mm	240 – 308mm	243 – 305mm
Weight* ± 5 % Poids* ± 5 % Gewicht* ± 5 %	278 g	355 g	418 g	359 g 444 g 591 g	311 g 382 g	437 g	261 g 283 g	318 g

* weight for 64 spokes, 264mm length