



## Installation Instructions Universal & Karbon® Gap Cap®

*Note to Dealers: If you install this product for the consumer, please provide him/her with this owner's manual after installation.*

Thank you for purchasing the Profile Design Gap Cap®. This accessory replaces conventional "star fangled nuts" and allows for a safe compression device for carbon fiber steering columns. Please read these instructions thoroughly before attempting to install this accessory. Proper installation is required for compliance with Profile Design's warranty policy. If you are not familiar with the installation of headsets & stems, please seek the assistance of your local Profile Design dealer by logging on to [www.Profile-Design.com](http://www.Profile-Design.com) and using "dealer search" or by calling Profile Design's customer service number.

### Tools and materials required: 5mm Allen wrench, assorted tools for stem and headset, sandpaper or light file

1. The Profile Design Universal & Karbon® Gap Cap® can safely be used with any threadless steerer tube material.
2. Threaded areas have been pre-lubricated by Profile Design during production with special torque grease. This special grease can be detected by its "sticky" feel. If you cannot detect the torque grease or if you have cleaned it off through normal maintenance, grease the threads of the M6x45 socket cap bolt (#3 with aluminum cap) or M6x50 socket flat head bolt (#3A with Karbon® Cap) and the slide area of the wedges before assembly.
3. Remove the old stem and check for sharp edges. Smooth any sharp edges with sandpaper or light file. Also inspect the steer tube for any cuts, splits or sharp areas. Damaged areas of a carbon steer tube may render the fork unusable.
4. The Gap Cap® can be used with an 1-1/8" or 1" stem by installing or removing the Gap Cap® Spacer (#2). This allows the Gap Cap® to center itself on each stem size.
5. With stem rear clamp bolts loosened, slide the Gap Cap® into the steering column and begin tightening to compress the headset the required amount as per headset manufacturer's instructions. Proper assembly of the stem should leave the top surface of the stem clamp about 3mm above the top of the fork steer tube. This distance gives the Gap Cap® enough room to preload the headset bearings. You can also check the bearing adjustment by locking the front brake and rolling the bike forwards and backwards, checking for looseness in the headset bearings.
6. Align stem and front wheel.
7. Tighten stem rear clamp bolts to manufacturer's specifications.
8. **⚠ WARNING** Do not over tighten this compression piece! Tightening the Gap Cap® after the rear stem clamp bolts have been tightened may cause damage to the fork steering column. A torque of 35-45in-lbs (3.9-5 N-m) on the bolt (M6x45 #3 socket cap bolt or M6x50 #3A socket flat head bolt) should not be exceeded.
9. Re-check all hardware for tightness after first usage (especially after riding on rough terrain) to insure secure attachment.

### ⚠ WARNING

- Any failure to follow these warnings can result in breakage and or slippage of this Profile Design accessory causing a loss of control of the bicycle with serious injuries. [AP1100-1-1]
- A creaking component can be a sign of potential problems. Make sure all contact surfaces between components are clean, all bolt threads are greased or are treated with proper thread lock and tightened to Profile Design's (or the bike manufacturers) specifications and all components are properly sized to fit together. If you continue to experience creaking stop using the Profile Design component and call Profile Design customer service. [AP1100-2-1]
- Under tightening a bolt can result in a part coming loose while riding and an over tightened bolt can break unexpectedly while riding also resulting in a loss of control. All bolts must be tightened to Profile Design's (or the bike manufacturer's) specifications. [AP1100-3-1]
- Periodically, closely examine all surfaces of this Profile Design component (after cleaning) in bright sunlight to check for any small hairline cracks or fatigue at "stress points" (such as welds, seams, holes, points of contact with other parts etc.). If you see any cracks, no matter how small, stop using the part immediately and call Profile Design customer service. [AP0302-4-2]
- Whenever you install any new component on your bike make sure you thoroughly try it out close to home (with your helmet) where there are no obstacles or traffic. Make sure everything is working properly before going off on a ride or to a race. [AP1100-5-1]
- Racing (road, mountain or multi-sport) places extreme stress on bicycles and their components (like it does riders) and significantly shortens their usable life. If you participate in these types of events, the lifetime of the product may be significantly shortened depending upon the level and amount of racing. The "normal wear" of a component may differ greatly between competitive and non-competitive uses, which is why professional level riders often use new bikes and components each season as well as having their bikes service by professional mechanics. Particular care should be placed in the regular examination of your bicycle and it's components to insure your safety. [AP1100-6-1]
- A number of factors can reduce the life of this component to less than its warranty period. Rider size and/or strength, high mileage, rough terrain, abuse, improper installation, adverse weather conditions and crashes or accidents can all contribute to the shortening of the life of this component. The more factors that are met, the more the life of the component is reduced. [AP0801-7-2]
- Profile Design does not recommend more than 2 cm of spacers between headset and stem on any carbon fiber steerer fork. Using more spacers than this may cause excessive stress on the steering column resulting in possible breakage and loss of control. [F1100-4-1]
- Over tightening of the Gap Cap assembly may cause a carbon fiber steerer tube to weaken or break causing loss of control of the bicycle [F1200-8-1]
- Threadless style stems are to be used with threadless style forks only. Clamping this style of stem to a threaded steering tube may cause breakage to the steerer.[F1200-9-1]

### Worldwide Limited Warranty

Profile Design, LLC (producer/manufacture) warrants to the original retail purchaser ("you") that the Profile Design product for which they received this warranty is free from defects in material and workmanship for two years from the date of original retail purchase. Profile Design's sole obligation under this warranty is to repair or replace the product, at Profile Design's option. Profile Design must be notified in writing of any claim under this warranty within 60 days of any claimed lack of conformity of the product.

### Warranty Limitations

The duration of any implied warranty or condition, of merchantability, fitness for a particular purpose, or otherwise, on this product shall be limited to the duration of the express warranty set forth above. In no event shall Profile Design be liable for any loss, inconvenience or damage, whether direct, incidental, consequential or otherwise, resulting from breach of any express or implied warranty or condition, of merchantability, fitness for a particular purpose, or otherwise with respect to this product, except as set forth herein. Some states or countries do not allow limitation on how long an implied warranty lasts and some do not allow exclusions or limitations of incidental or consequential damages, so the above limitations or exclusions may not apply to you. This warranty gives you specific legal rights, and you may also have other rights, which may vary, from location to location. This warranty will be interpreted pursuant to the laws of the United States. The original English language version/meaning of this warranty controls over all translations and Profile Design is not responsible for any errors in translation of this warranty or any product instructions. This warranty is not intended to confer any additional legal, jurisdictional or warranty rights to you other than those set forth herein or required by law. If any portion of this warranty is held to be invalid or unenforceable for any reason, such finding will not invalidate any other provision. For products purchased in countries other than the United States please contact Profile Design's authorized distributor in that respective country.



# Installation Instructions Universal Gap Cap®

## Warranty Service Options

To obtain service under this warranty you must either:

- Bring or send your Profile Design product, together with this warranty, the retail seller's original receipt or other satisfactory proof of the date of purchase to the retailer where you purchased the item, or
- Send your Profile Design product (with the return authorization number on the outside of the shipping container and affixed to the product), together with the retail seller's original receipt or other satisfactory proof of the date of purchase to Profile Design LLC, 2677 El Presidio St. Long Beach, CA 90810 USA. You must obtain a return authorization number by calling Profile Design at (310) 884-7756 ext. 161 (or send an email to [warranty@profile-design.com](mailto:warranty@profile-design.com)) prior to returning the product to Profile Design.

Any postage, insurance or shipping costs incurred in sending your Profile Design product for service under either option above, is your responsibility. Profile Design will not be responsible for products lost or damaged in shipping.

For products purchased in countries other than the United States please contact Profile Design's authorized distributor in the country where the product was purchased. They can be found on our website at [www.Profile-Design.com](http://www.Profile-Design.com).

## Crash Replacement Policy

Profile Design understands that crashes can happen. As a result Profile Design will attempt to ease the pain by offering you a replacement product for 30% below Profile Design's current suggested retail price in your respective country. All other provisions of this warranty apply and the procedures outlined for warranty service apply also to the crash replacement policy. Profile Design will make the final decision on whether the part will be covered under the crash replacement policy.

## Warranty Exclusions

Retailers and sellers of Profile Design products are not authorized to modify this warranty in any way. It is your responsibility to regularly examine the product to determine the need for normal service or replacement. This warranty does not cover the following:

- Products that have been modified, neglected or poorly maintained, used for commercial purposes, misused or abused or involved in accidents.
- Damage occurring during shipment of the products (such claims must be presented directly to the shipper).
- Damage to products resulting from improper assembly or repair, the use or installation of parts or accessories not compatible with the original intended use of the product, or the failure to follow the product warnings and usage instructions.
- Damage or deterioration to the surface finish, aesthetics or appearance of the product.
- The labor required to remove and/or re-fit and re-adjust the item covered by this warranty.
- Normal wear to the product.
- Any products for which the consumer does not follow the warranty procedures outlined above.

For the current version of this warranty please visit our website at [www.Profile-Design.com](http://www.Profile-Design.com)

© Copyright 04/02

Profile-Design, LLC

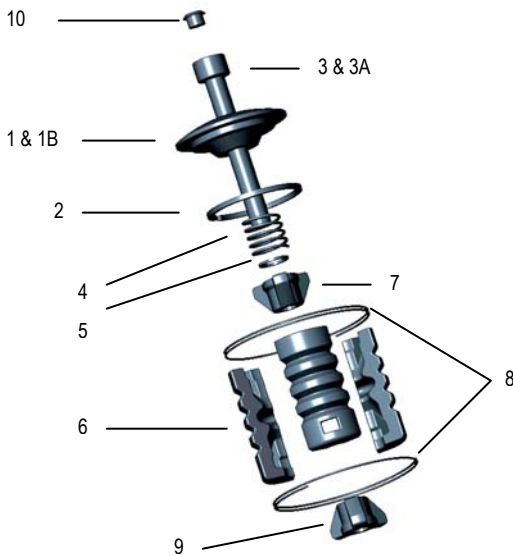
2677 El Presidio St.

Long Beach, CA 90810

Warranty Service (310) 884-7756 ext. 161

Warranty email: [warranty@Profile-Design.com](mailto:warranty@Profile-Design.com)

[www.Profile-Design.com](http://www.Profile-Design.com)



Universal & Karbon Gap Cap Parts List			
Qty.	Part #	Ref. #	Part Description
1	366118	1	Gap Cap Top-Universal
1	550007	1B	Gap Cap Top-Karbon
1	366218	2	Adaptor-Gap Cap Spacer
1	334814	3	Bolt-M6x45 Socket Cap
1	550008	3A	Bolt-M6x50 Socket Flat Head
1	209840	4	Spring-Gap Cap
1	948465	5	Washer M6 Flat
3	366418	6	Wedge-Ribbed Gap Cap
1	366318	7	Wedge Upper-3 Prong
2	366618	8	Wedge Clip-Gap Cap
1	366518	9	Nut- 3 Pronged
1	368470	10	Plug-rubber (gap cap)