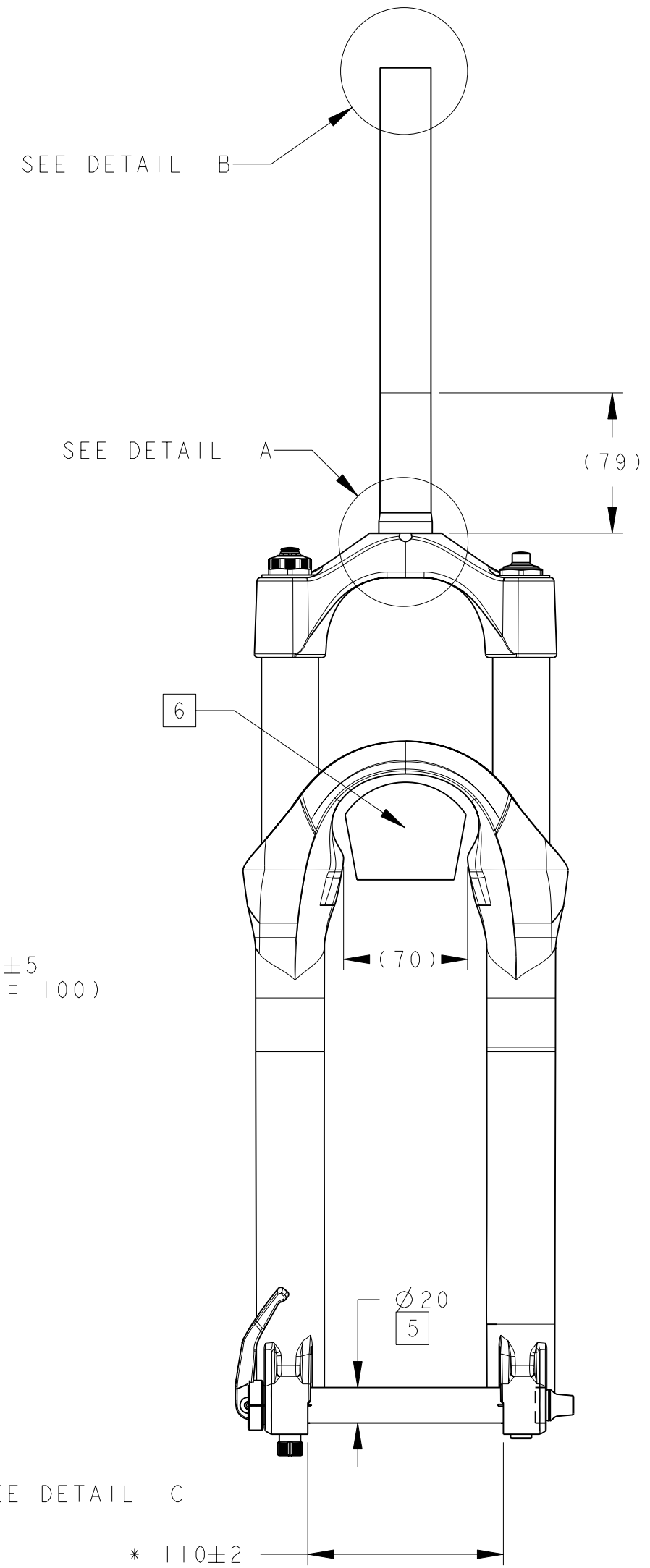
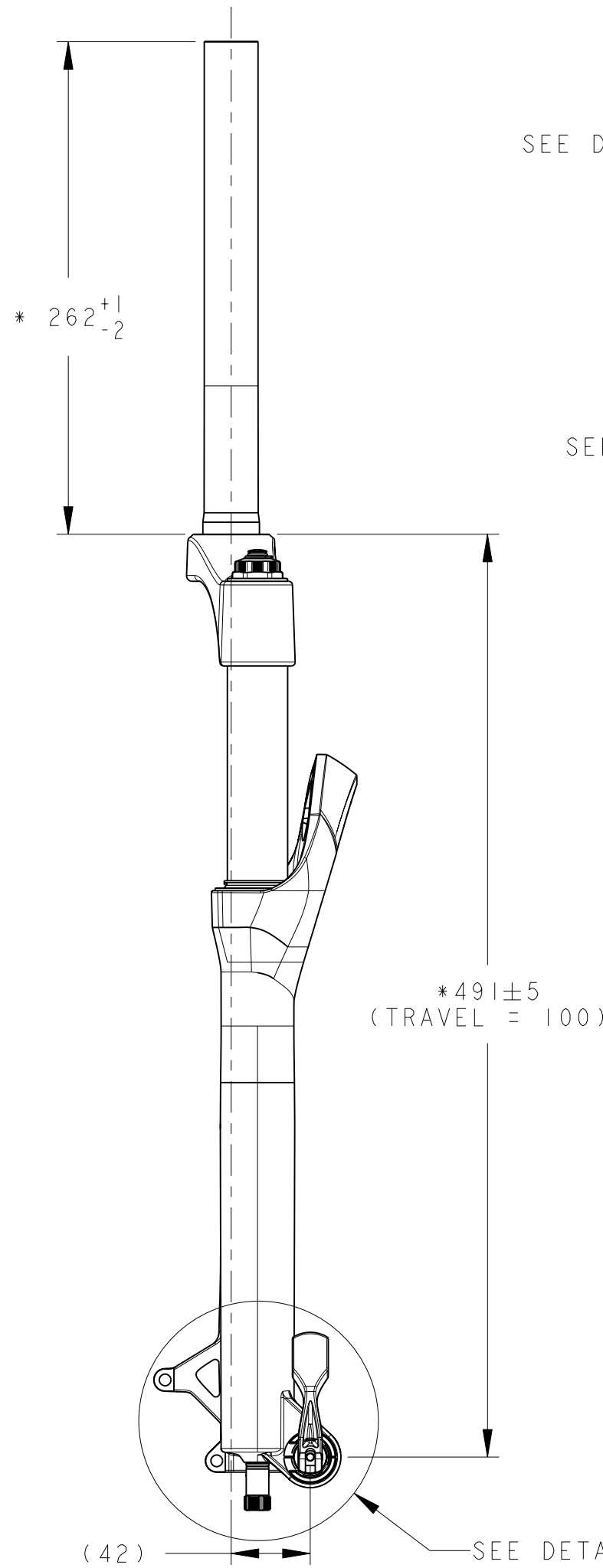
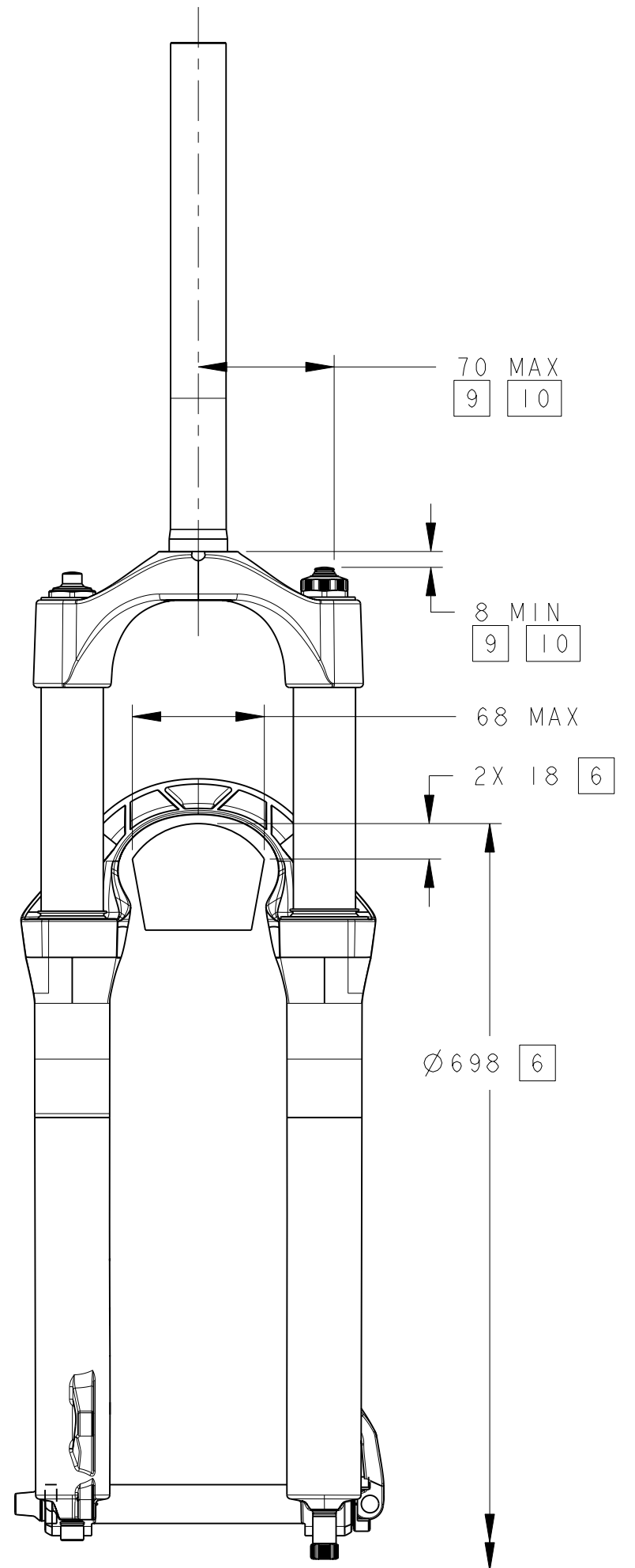
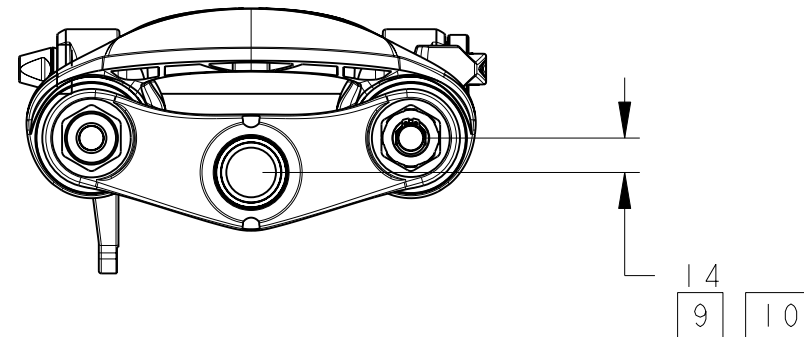
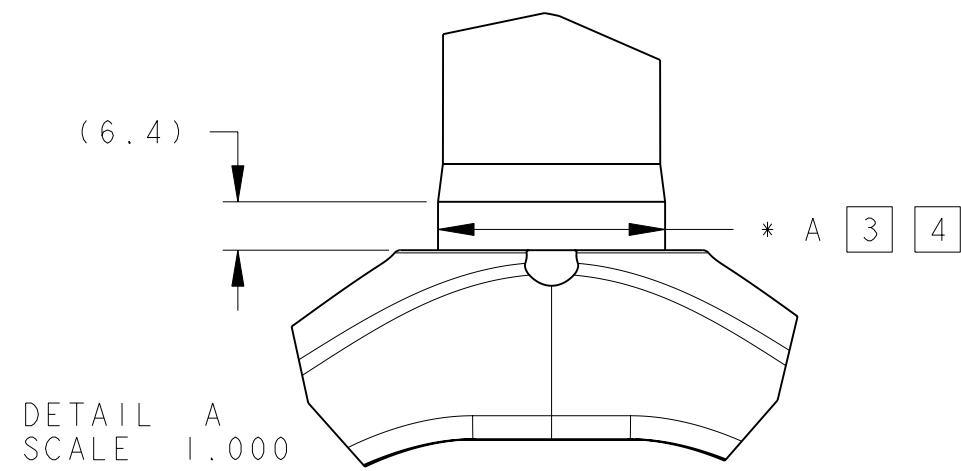
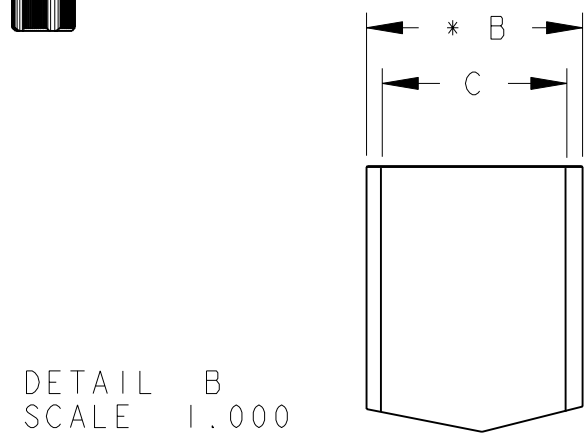
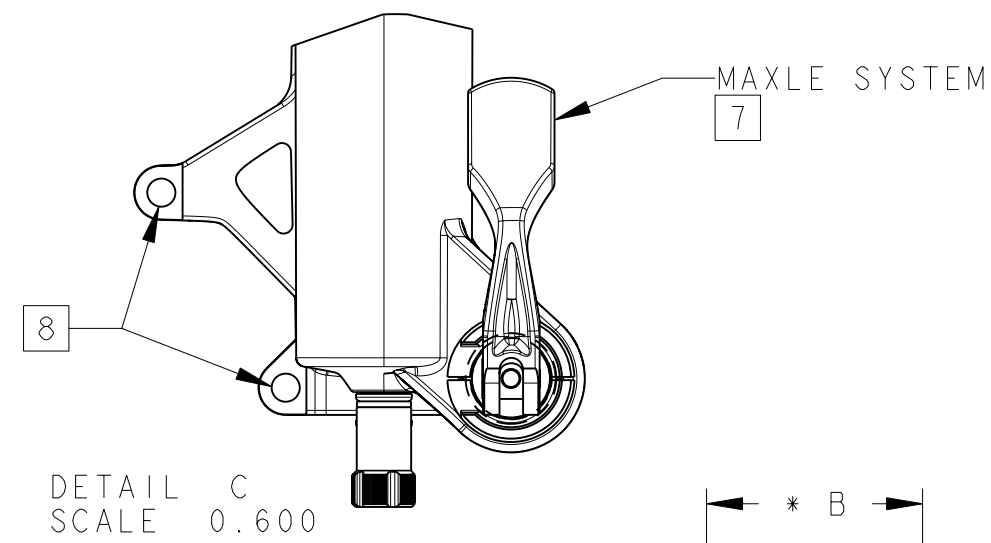


REV	DATE	CLASS	REVISION RECORD	DR	CK
A	21FEB06	M	ECN 17868: RELEASE FOR MY07.	JFR	MJW



STEER TUBE	*A	3	4	*B	C
1-1/8 ALUM	30.040+0.050/-0.025			28.58±0.07	24.45±0.15

NOTES (UNLESS OTHERWISE SPECIFIED):

- SRAM RESERVES THE RIGHT TO CHANGE SPECIFICATIONS WITHOUT PRIOR NOTICE.
- REFERENCE DIMENSIONS NOTED WITH "()" ARE FOR CUSTOMER DESIGN INFORMATION ONLY.
- CROWN RACE Ø'S MEASURED AS AVERAGE OF 3 DIAMETRIC POINTS MINIMUM.
- HEADSET CUP ID MUST BE GREATER THAN STEER TUBE OD + 0.3MM.
- 110 X 20MM THUR AXLE HUB ONLY WITH Ø25MM MAX OUTER SHOULDER AND Ø20.05 MIN INNER DIAMETER BORE.
- IMPORTANT: CUSTOMER IS RESPONSIBLE FOR ENSURING MINIMUM TIRE CLEARANCE. DO NOT EXCEED MAXIMUM TIRE ENVELOPE INDICATED ON THIS DRAWING.
- IMPORTANT: CUSTOMER IS RESPONSIBLE FOR ENSURING THAT ROCKSHOX MAXLE SYSTEM IS USED PER SRAM'S OPERATING INSTRUCTIONS (SEE USER MANUAL).
- REFERENCE IS2000 DISC BRAKE STANDARD.
- FORK / FRAME CLEARANCE (WORST CASE).
- 3D FILES: US-4012-880-000.IGS, US-4012-880-000.STP AVAILABLE UPON REQUEST FOR EXACT FORK ENVELOPE.

<p>SRAM Corporation Global Headquarters 1333 North Kingsbury Chicago, IL 60622 USA 312-664-8800 REV B</p>	<p>GEOMETRIC DIMENSIONING AND TOLERANCING TO BE INTERPRETED PER ANSI Y14.5M 1994</p> <p>INDICATES THE DIMENSION IS CRITICAL TO THE FORM, FIT OR FUNCTION OF THE PART OR PRODUCT.</p>	<p>ALL DIMENSIONS ARE mm</p> <p>THIRD ANGLE PROJECTION</p>	<p>UNTOLERANCED LENGTH DIMENSIONS (mm)</p> <table border="1"> <tr> <th>LENGTH DIMENSIONS</th> <th>TOLERANCE</th> </tr> <tr> <td>from 0.5 up to 6</td> <td>±0.1</td> </tr> <tr> <td>over 6 up to 30</td> <td>±0.2</td> </tr> <tr> <td>over 30 up to 120</td> <td>±0.3</td> </tr> <tr> <td>over 120 up to 400</td> <td>±0.5</td> </tr> </table>	LENGTH DIMENSIONS	TOLERANCE	from 0.5 up to 6	±0.1	over 6 up to 30	±0.2	over 30 up to 120	±0.3	over 120 up to 400	±0.5	<p>DO NOT SCALE DRAWING</p> <p>DRAWN BY: J.F. REID</p> <p>APPROVAL: M. WINTER</p>	<p>MATERIAL</p>	<p>TITLE: ROCKSHOX USER SPECIFICATION, MY07, ARGYLE</p>
			LENGTH DIMENSIONS	TOLERANCE												
from 0.5 up to 6	±0.1															
over 6 up to 30	±0.2															
over 30 up to 120	±0.3															
over 120 up to 400	±0.5															
<p>CONFIDENTIAL - THIS DRAWING CONTAINS INFORMATION THAT IS PROPRIETARY TO SRAM CORPORATION AND MAY NOT BE DISCLOSED WITHOUT PERMISSION.</p>			<p>SCALE: A2</p>	<p>DATE: 21FEB06</p>	<p>DRAWING NUMBER: US-4012-880-000</p>	<p>REV: A</p>										