

REVERB REMOTE ASSEMBLY BLEED

This service guide covers the steps to perform a *bleed* of the Reverb remote assembly. Use this procedure only when you suspect there is air in the system that is affecting the operation of the height adjust feature of the seatpost or when you shorten the remote hose.

This procedure is not intended for service that requires the replacement of the remote hose. Remote hose replacement requires the *Reverb Remote Hose Replacement and System Bleed* procedure (available December 2010).

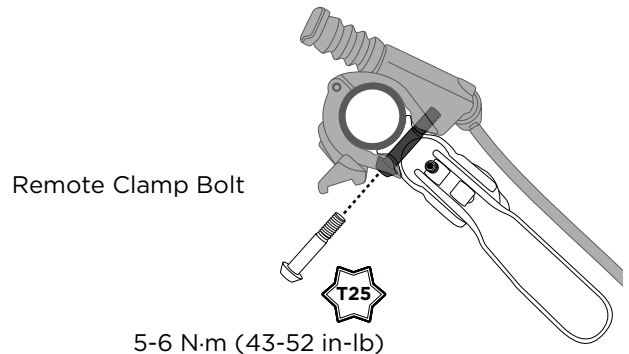
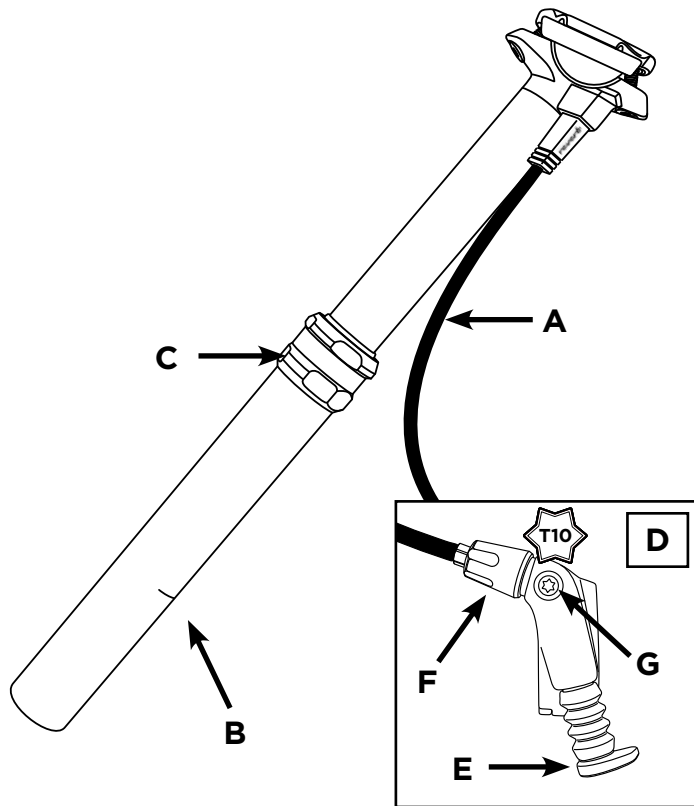
TOOLS NEEDED FOR SERVICE

Safety Glasses
Nitrile Gloves
T10 and T25 Torx®
Torque wrench with T10 Torx socket

RockShox 2.5wt suspension fluid
Reverb bleed kit
Clean lint free rag

IMPORTANT:

Do not use Avid Hydraulic Disc Brake bleed tools or any other bleed kit that specifies DOT fluid. Any DOT fluid that contaminates the Reverb system will damage the product. In addition, suspension fluid will damage any DOT specific brake bleed tools.



REMOTE ASSEMBLY BLEED

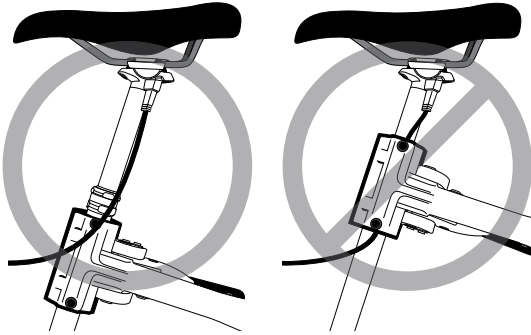
1 Push the remote actuator to extend the seatpost to its full height.

2 Clamp the bicycle into a bike stand.

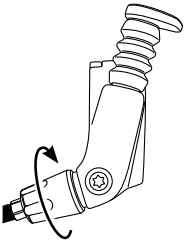
*To clamp a Reverb equipped bicycle into a bike stand, loosen the seatpost binder bolt/quick release at the frame. Raise the seatpost to the Minimum Insertion line then tighten the seatpost binder bolt/quick release to the frame manufacturer's recommendation. **Do not exceed 6.7 N·m (60 in-lb).***

IMPORTANT:

Clamp the seatpost into the bike stand just below the top cap. Do not clamp the seatpost by the top cap or allow the hose to be clamped as this may damage the seatpost.



3 Turn the speed adjuster on the remote counter-clockwise to the *Full Slow* position (this is opposite the direction of the arrow printed on the speed adjuster).



4 Orient the bike so that the remote is higher than the top of the saddle.

5 Use a T25 Torx to loosen the remote clamp bolt then rotate the remote so that the bleed screw is at the highest point on the remote.

Re-tighten the clamp bolt just enough to prevent the remote assembly from rotating on the handlebar.

6 Place an oil pan on the floor directly beneath the remote.

7 Fill a RockShox Reverb bleed syringe ¼ full of RockShox 2.5wt oil.

Hold the syringe with the tip pointed up.

Place a rag around the tip and slowly push any air bubbles out of the syringe.

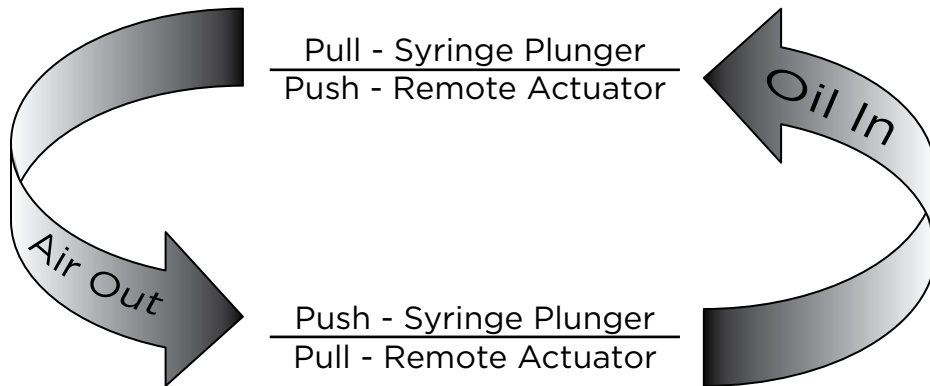
8 Use a T10 Torx to remove the bleed screw on the remote.

9 Thread the syringe into the remote bleed port.

While holding the syringe upright, gently pull up on the syringe plunger and push the remote actuator at the same time. This will remove air bubbles from the remote.

Then, push on the syringe plunger which will, in turn, extend the remote actuator. This will force oil into the remote.

Cycle the syringe plunger and remote actuator through this process until no more air bubbles transfer from the remote to the syringe.



Complete the bleed with a firm push on the syringe plunger that leaves the remote actuator fully extended.

10 Unthread the syringe from the remote.

11 Use a T10 Torx to thread the bleed screw into the bleed port and tighten it to 1.7 N·m (15 in-lb).

12 Use a T25 Torx to loosen the remote clamp bolt. Rotate the remote to the desired position on the handlebar. Tighten the remote clamp bolt to 5-6 N·m (43-52 in-lb).

13 Turn the speed adjuster to the desired setting.

14 Spray isopropyl alcohol on the remote assembly and clean it with a lint free rag.

15 Remove the bicycle from the bike stand.

16 Set the seatpost to the desired height then tighten the seatpost binder bolt/quick release to the frame manufacturer's recommendation. **Do not exceed 6.7 N·m (60 in-lb).**

This completes the Reverb Remote Assembly Quick Bleed.