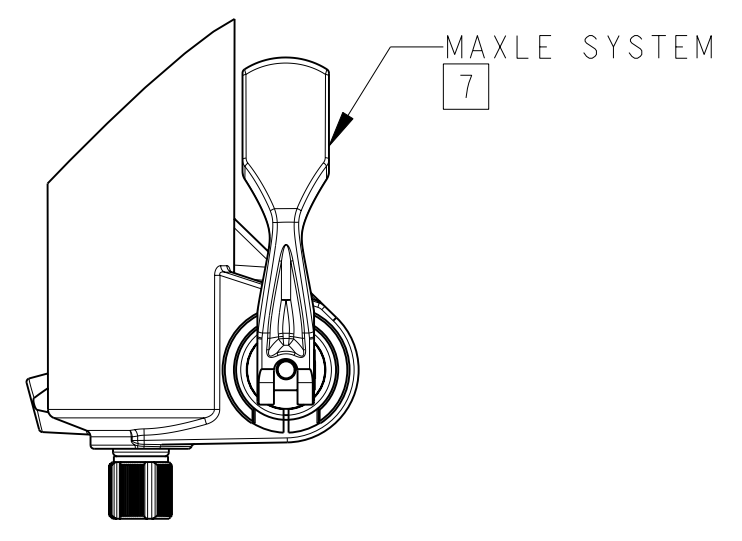
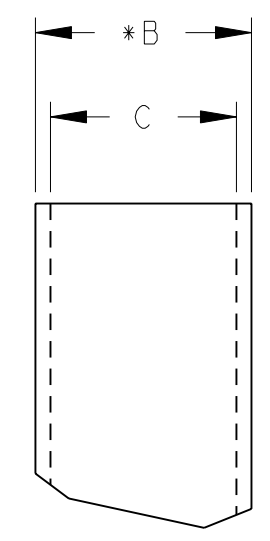


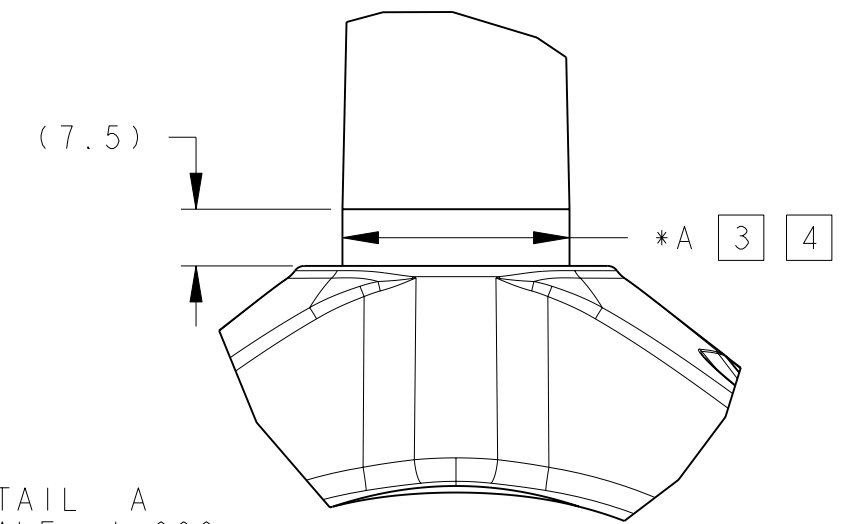
REV	DATE	CLASS	REVISION RECORD	DR	CK
A	10JAN06	M	ECN 17216 RELEASE FOR MY07	DG	CD



DETAIL C
SCALE 0.600



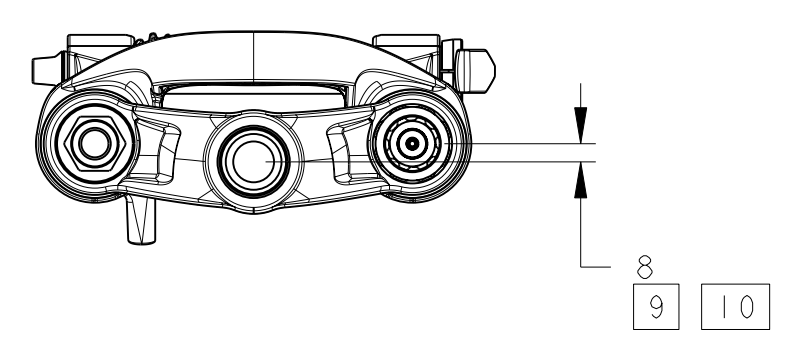
DETAIL B
SCALE 1.000



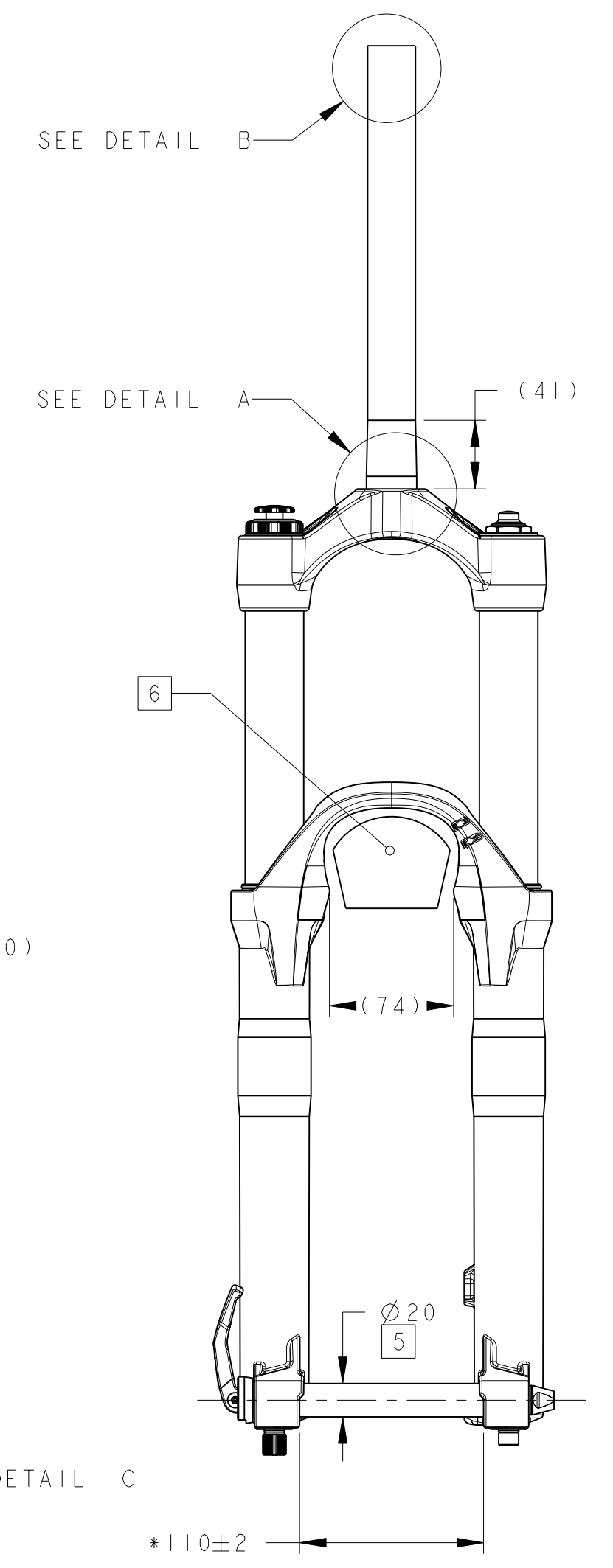
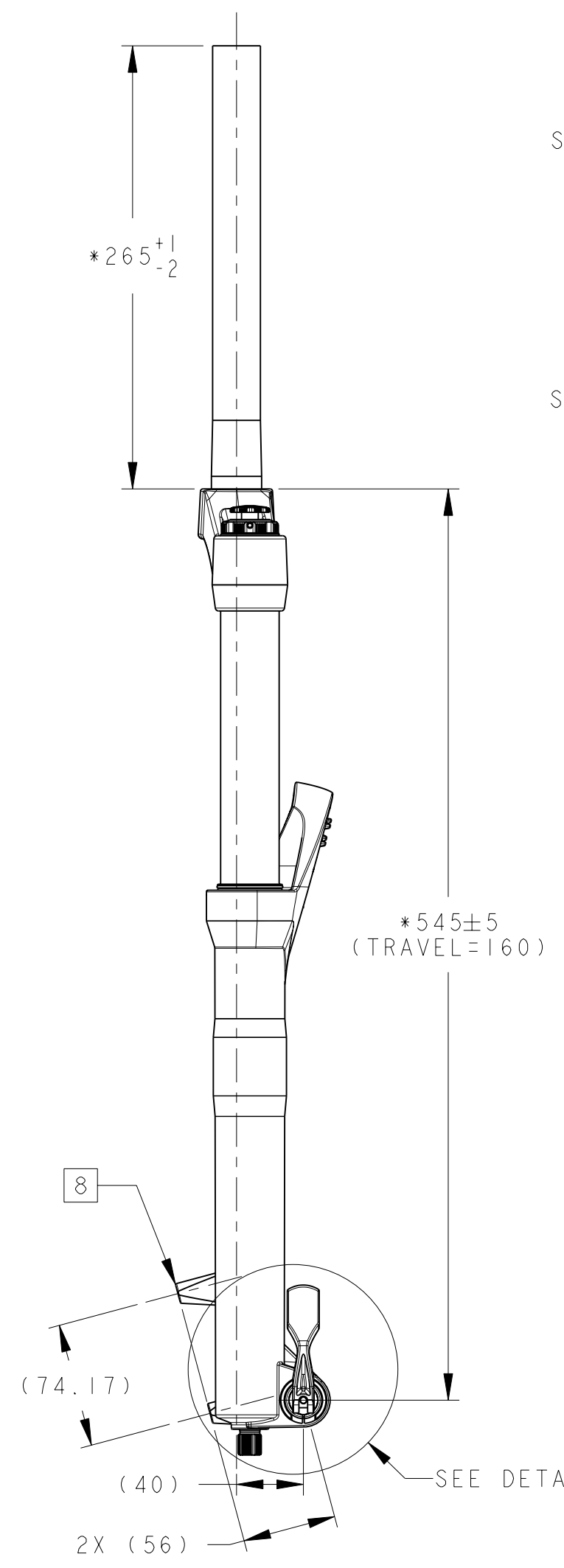
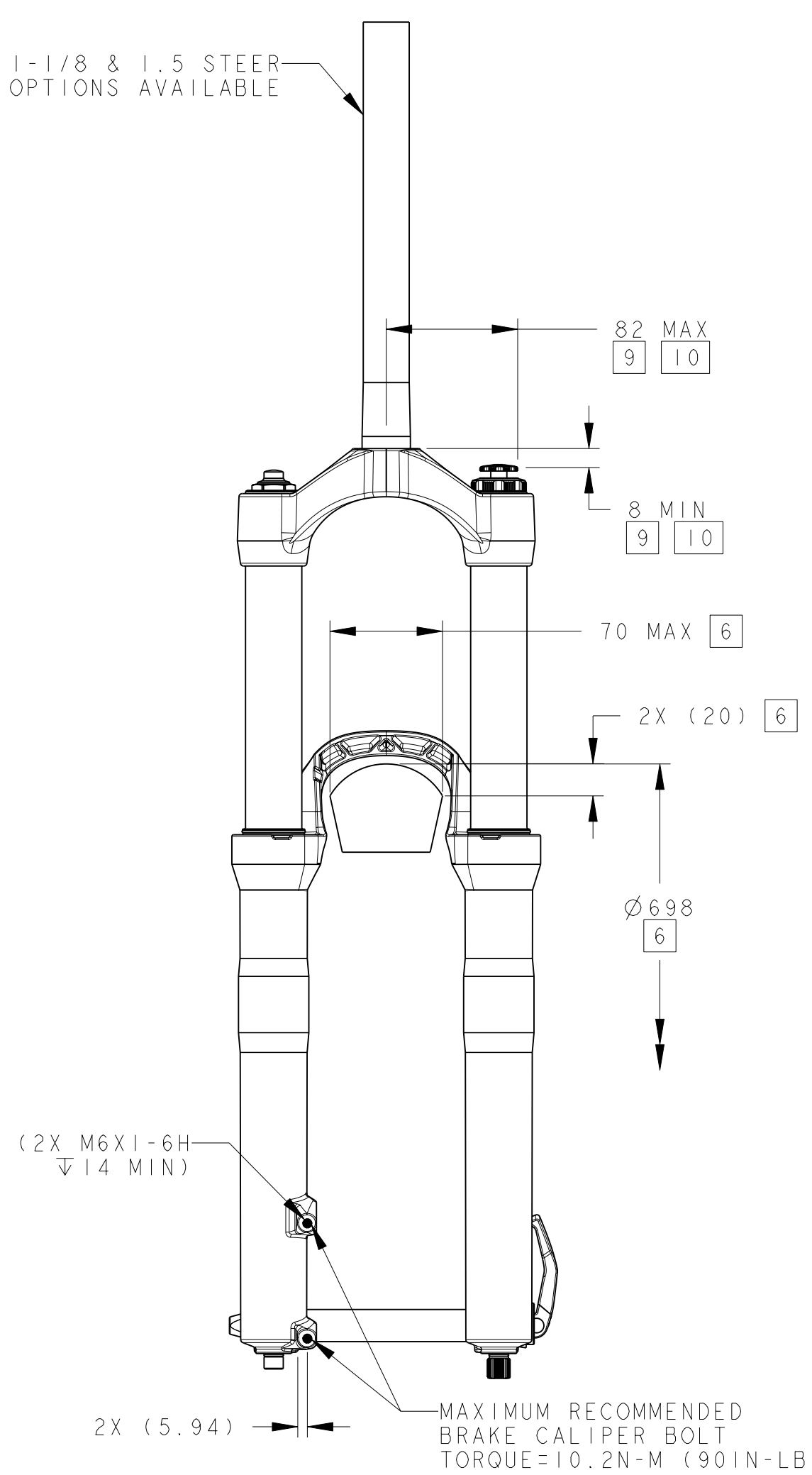
DETAIL A
SCALE 1.000

STEER TUBE	*A	3	4	*B	C
1-1/8 ALUM	30.040+0.050/-0.025			28.58±0.07	24.45±0.15
1.5 ALUM	39.820+0.050/-0.025			38.14±0.07	34.95±0.15

- NOTES (UNLESS OTHERWISE SPECIFIED):
- SRAM RESERVES THE RIGHT TO CHANGE SPECIFICATIONS WITHOUT PRIOR NOTICE.
 - REFERENCE DIMENSIONS NOTED WITH "()" ARE FOR CUSTOMER DESIGN INFORMATION ONLY
 - CROWN RACE Ø'S MEASURED AS AVERAGE OF 3 DIAMETRIC POINTS MINIMUM
 - HEADSET CUP ID MUST BE GREATER THAN STEER TUBE OD + 0.3MM
 - 110 X 20MM THUR AXLE HUB ONLY WITH Ø25MM MAX OUTER SHOULDER AND Ø20.05 MIN INNER DIAMETER BORE
 - IMPORTANT: CUSTOMER IS RESPONSIBLE FOR ENSURING MINIMUM TIRE CLEARANCE. DO NOT EXCEED MAXIMUM TIRE ENVELOPE INDICATED ON THIS DRAWING.
 - IMPORTANT: CUSTOMER IS RESPONSIBLE FOR ENSURING THAT ROCKSHOX MAXLE SYSTEM IS USED PER SRAM'S OPERATING INSTRUCTIONS (SEE USER MANUAL)
 - POST TYPE BRAKE CALIPER MOUNT DIRECT FOR 160MM ROTOR DIA. MAX ROTOR DIA = 215MM.
 - FORK / FRAME CLEARANCE (WORST CASE)
 - 3D FILES: US-4012-208-000.IGS, US-4012-208-000.STP AVAILABLE UPON REQUEST FOR EXACT FORK ENVELOPE



1-1/8 & 1.5 STEER TUBE OPTIONS AVAILABLE



	SRAM Corporation Global Headquarters 1333 North Kingsbury Chicago, IL 60622 USA 312-664-8800 REV B	GEOMETRIC DIMENSIONING AND TOLERANCING TO BE INTERPRETED PER ANSI Y14.5M 1994 INDICATES THE DIMENSION IS CRITICAL TO THE FORM, FIT OR FUNCTION OF THE PART OR PRODUCT.	ALL DIMENSIONS ARE mm THIRD ANGLE PROJECTION	UNTOLERANCED LENGTH DIMENSIONS (mm) <table border="1"> <thead> <tr> <th>LENGTH DIMENSIONS</th> <th>TOLERANCE</th> </tr> </thead> <tbody> <tr> <td>from 0.5 up to 6</td> <td>±0.1</td> </tr> <tr> <td>over 6 up to 30</td> <td>±0.2</td> </tr> <tr> <td>over 30 up to 120</td> <td>±0.3</td> </tr> <tr> <td>over 120 up to 400</td> <td>±0.5</td> </tr> </tbody> </table> UNTOLERANCED ANGLE DIMENSIONS ±5°	LENGTH DIMENSIONS	TOLERANCE	from 0.5 up to 6	±0.1	over 6 up to 30	±0.2	over 30 up to 120	±0.3	over 120 up to 400	±0.5	DO NOT SCALE DRAWING DRAWN BY: D GILBERT APPROVAL: C DEWITT	MATERIAL:	TITLE: ROCKSHOX USER SPECIFICATION, MY07 LYRK SCALE: A2 DATE: 10JAN06 DRAWING NUMBER: US-4012-208-000 REV: A
	LENGTH DIMENSIONS	TOLERANCE															
from 0.5 up to 6	±0.1																
over 6 up to 30	±0.2																
over 30 up to 120	±0.3																
over 120 up to 400	±0.5																
CONFIDENTIAL - THIS DRAWING CONTAINS INFORMATION THAT IS PROPRIETARY TO SRAM CORPORATION AND MAY NOT BE DISCLOSED WITHOUT PERMISSION.																	