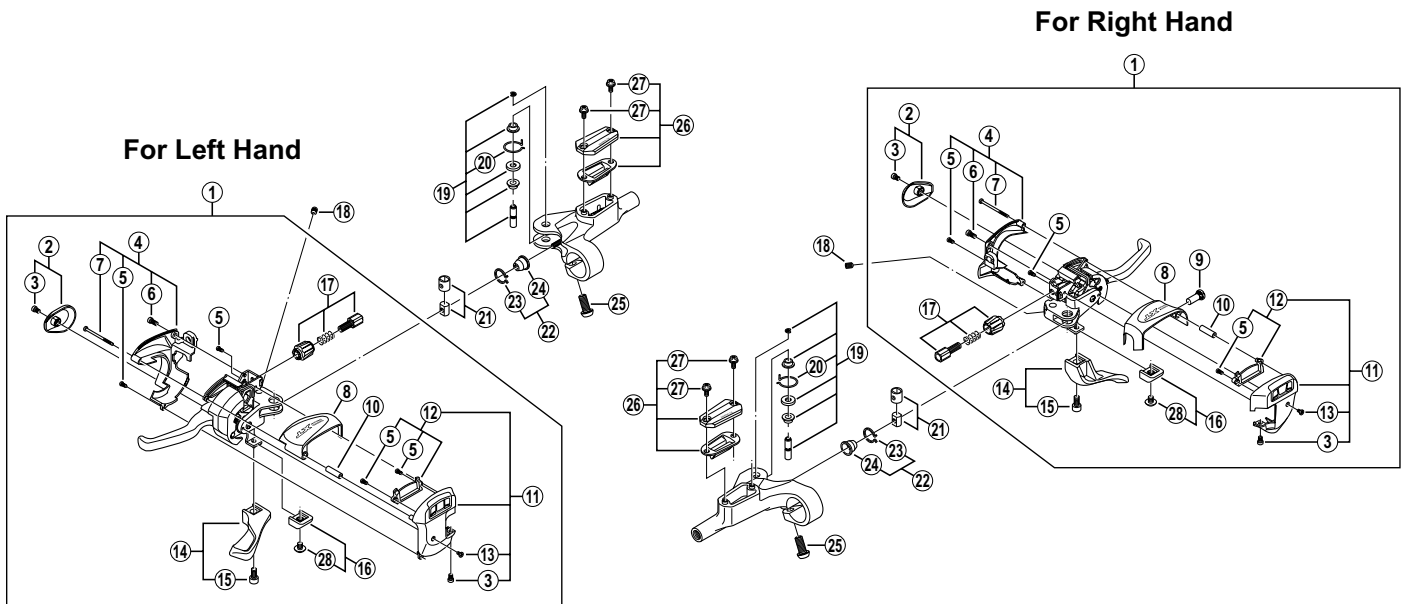


DEORE XT Dual Control Lever ST-M765 For Disc Brake



ITEM NO.	SHIMANO CODE NO.	DESCRIPTION
1	Y-6JK 98010	R.H. Main Lever Assembly
	Y-6JK 98020	L.H. Main Lever Assembly
2	Y-6JJ 98030	R.H. Lever Cap & Fixing Screw
	Y-6JJ 98040	L.H. Lever Cap & Fixing Screw
3	Y-6JJ 14000	Fixing Screw (M3 x 4)
4	Y-6JK 98030	R.H. Top Cover & Fixing Screws
	Y-6JK 98040	L.H. Top Cover & Fixing Screws
5	Y-6A8 43010	Cover Fixing Screw
6	Y-6JJ 14010	Fixing Screw (M3 x 7)
7	Y-6JJ 78000	Cover Fixing Screw (Long)
8	Y-6JJ 07000	R.H. Cable Cover
	Y-6JJ 56000	L.H. Cable Cover
9	Y-6JJ 70000	R.H. Inner Hole Cap
10	Y-6GR48100	Cover Pipe
11	Y-6JJ 98070	R.H. Bottom Cover Unit
	Y-6JJ 98080	L.H. Bottom Cover Unit
12	Y-6JJ 98090	R.H. Indicator Back Cover & Fixing Screw
	Y-6JJ 98100	L.H. Indicator Back Cover & Fixing Screws
13	Y-6GR47000	Fixing Screw (M2.6 x 3.5)
14	Y-6JJ 98130	R.H. Release Lever & Fixing Bolt
	Y-6JJ 98140	L.H. Release Lever & Fixing Bolt
15	Y-6JJ 13000	Release Lever Fixing Bolt (M4 x 8)
*16	Y-6JX 98130	Release Lever Cap & Fixing Screw
17	Y-6JJ 98180	Shifting Cable Adjusting Bolt Unit
18	Y-8SZ 07100	Lever Axle Fixing Bolt (6 mm)
19	Y-6JK 98050	R.H. Lever Axle Unit
	Y-6JK 98060	L.H. Lever Axle Unit
20	Y-6GS84000	R.H. Fixing Spring
	Y-6GS84100	L.H. Fixing Spring
21	Y-6JK 98070	Reach Adjusting Boss & Sleeve
22	Y-8SY 98070	Boot & Stopper
23	Y-8SY 30000	Boot Stopper
24	Y-8SY 17000	Boot
25	Y-8SB 10000	Clamp Bolt (M6 x 14.8)
*26	Y-6JY 98060	R.H. Lid Unit
*26	Y-6JY 98070	L.H. Lid Unit
*27	Y-8SY 24000	Lid Fixing Screw
*28	Y-6JX 0C000	Release Lever Cap Fixing Screw (M4 x 5)

0408-2273A