

## General Safety Information

### WARNING

- Be careful not to let the cuffs of your clothes get caught in the chain while riding, otherwise you may fall off the bicycle.
- Obtain and read the service instructions carefully prior to installing the parts. Loose, worn or damaged parts may cause the bicycle to fall over and serious injury may occur as a result. We strongly recommend only using genuine Shimano replacement parts.
- Obtain and read the service instructions carefully prior to installing the parts. If adjustments are not carried out correctly, the chain may come off and this may cause you to fall off the bicycle which could result in serious injury.
- Read these Technical Service Instructions carefully, and keep them in a safe place for later reference.

### Note

- If gear shifting operations do not feel smooth, wash the derailleur and lubricate all moving parts.
- If the amount of looseness in the links is so great that adjustment is not possible, you should replace the derailleur.
- Shimano does not provide the bottom bracket mount fixing bolts.
- For smooth operation, use the specified outer casing and the bottom bracket cable guide.
- Parts are not guaranteed against natural wear or deterioration resulting from normal use.
- For maximum performance we highly recommend Shimano lubricants and maintenance products.
- For any questions regarding methods of installation, adjustment, maintenance or operation, please contact a professional bicycle dealer.

Technical Service Instructions

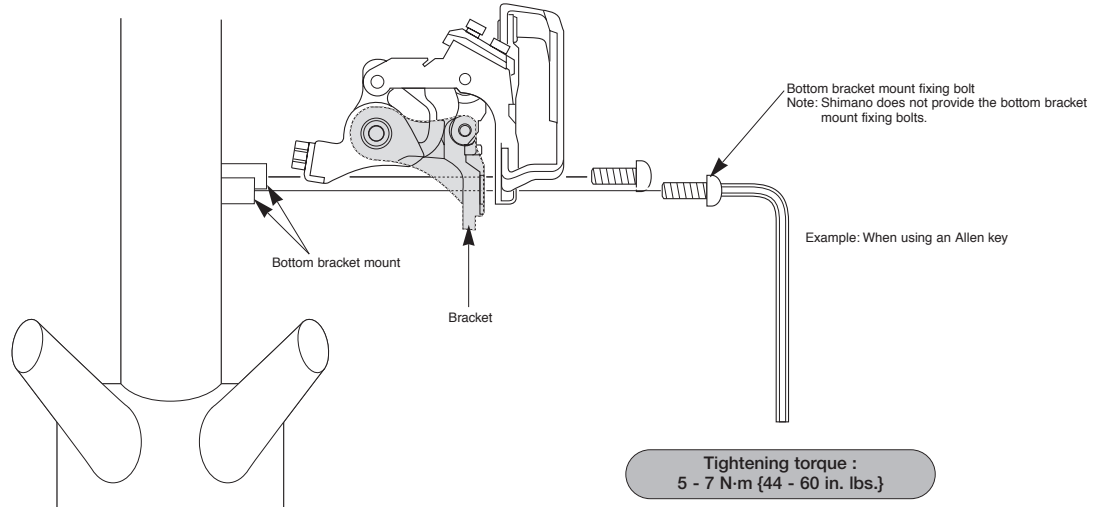
SI-0072A-001

## BB mount type front derailleur (models without BB plate)

FD-M970-E / M770-E / M660-E / M665-E

## Installation of the front derailleur

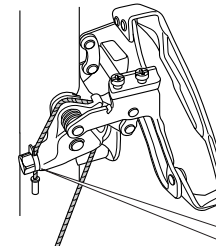
Install the front derailleur as shown in the illustration.



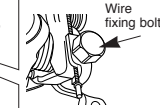
### <Connecting and securing the inner cable>

Use an 8 mm spanner to tighten the wire fixing bolt.

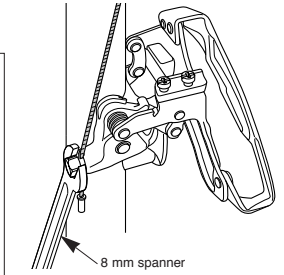
#### < Normal type >



Note:  
Pass the cable through as shown in the illustration.



#### < Top route type >



Be sure to read the service instructions for the front derailleur and the Front Drive System in conjunction with these service instructions.

## SHIMANO

SHIMANO AMERICAN CORPORATION  
One Holland, Irvine, California 92618, U.S.A. Phone: +1-949-951-5003

SHIMANO EUROPE B.V.  
Industrieweg 24, 8071 CT Nunspeet, The Netherlands Phone: +31-341-272222

SHIMANO INC.  
3-77 Oimatsu-cho, Sakai-ku, Sakai-shi, Osaka 590-8577, Japan

Please note: specifications are subject to change for improvement without notice. (English) © Apr. 2008 by Shimano Inc. XBC SZK Printed in Japan.